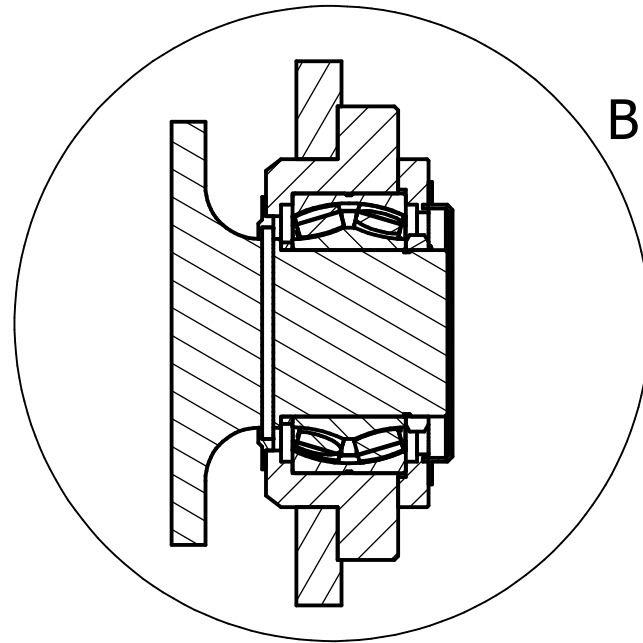
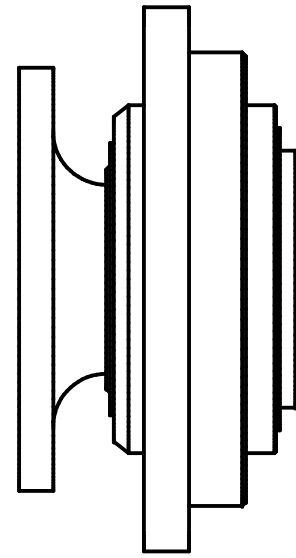


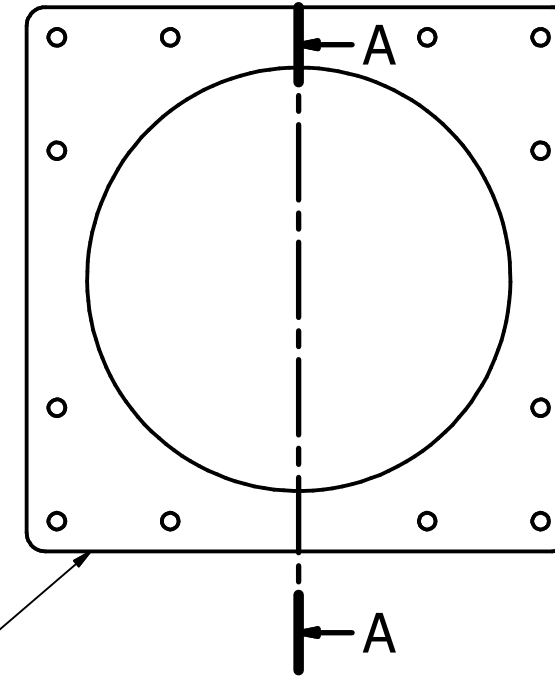
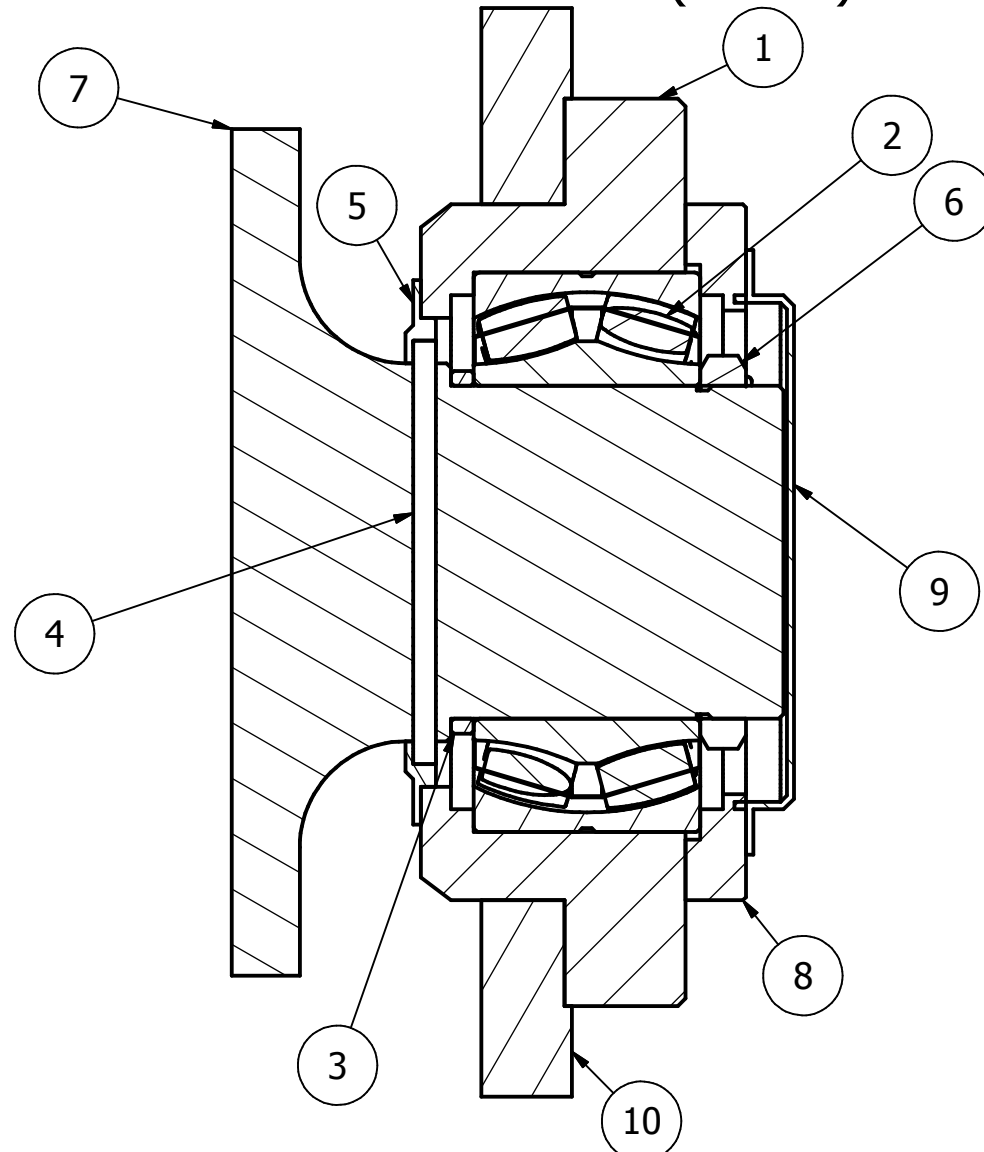
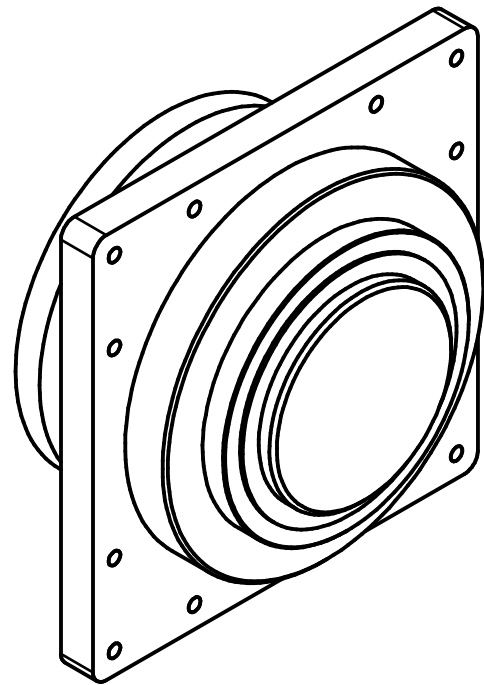
A-A ( 1 : 10 )



B



B ( 1 : 5 )



PARTS LIST			
ITEM	QTY	PART NUMBER	DESCRIPTION
1	1	231,05,04,1	
2	1	Sfäriskt rullager 24144-CC-W33	
3	1	231,05,04,5	
4	1	DIN 3760 - A - 250 x 280 x 15 - NBR	Shaft Seal Ring
5	1	231,05,04,6	
6	2	Shaftnut	HM-3044 MS-3044
7	1	231,05,04,4	Shaft
8	1	231,05,04,3	
9	1	231,05,04,7	
10	1	231,05,04-Infästning	

Designed by Marcus Förster	Checked by	Approved by	Date	Date 2012-01-18
-------------------------------	------------	-------------	------	--------------------

<b>DAMACON</b> Industri teknik AB	Smst 231,05,04	Edition	Sheet 1 / 1